

# The MOEBE Shelving System

## **Congrats on your new Shelving System!**

We hope very much that you are going to be happy with your new Shelving System for many years to come. In the following pages you will find out how to assemble and look after your new piece of furniture.

## **Product description**

The MOEBE Shelving System gives you full freedom to build your own piece of furniture. Build as tall as you like, build as wide as you like, build around corners, or even span different levels. Use as a room divider or simply place against a wall.

As a modular system, Shelving System is built entirely from individual parts. It can be customised and adapted again and again.

All shelves are held in place by wedges in each corner. The combination of the wedges and the slightly textured legs allows the shelves to be positioned wherever desired, without any limitations.

## **Assembly**

Please see the following assembly instructions or find them at [www.moebe.dk](http://www.moebe.dk), or scan the QR code below.



## **These instructions cover**

- Floor Standing
- Back Plate
- Cabinet
- Clothes Bar
- Floor Fixing
- Ceiling Fixing
- Wall Mounted
- Wall Mounted Floor Standing
- Magazine Shelving
- Magazine Shelving Floor Standing

### **Taking care of your new Shelving System**

When unwrapped it might take 2-3 days for the protective oil to completely dry. Be careful to protect clothing and other materials that can soak up oil during this time.

If at any time the wood displays lighter dry patches, we recommend you to apply a thin coat of oil to the furniture with a clean lint-free cloth to nourish the wood. Small cans of pigment-free furniture oil are available from most DIY hardware stores. Do not use oils sold for cooking or eating.

Any spills must be removed immediately using a cloth. Dust can be removed with damp cloth. Light strains may be removed by gently rubbing in the direction of the grain with 400 grit (very fine) sandpaper and re-oiling afterwards.

### Heat and sunlight

Avoid exposing your furniture to excessive heat e.g. by placing it in front of a radiator as this can cause cracking. A minimum of 30cm clearance from heat sources is advised.

Direct sunlight will cause the colour of real wood to change, even if it is stained or lacquered. This will be particularly apparent if the furniture is placed under eg. a window. Oak will tend to darken in this situation.

Never place hot items directly on to wooden surfaces. Prolongue use of hot electrical equipment, such as a television, on top of furniture, may also cause scorching.

### **5 Year Warranty**

We believe in what we do and in the quality of our products. That's why we give you a 5 year warranty. This guarantee covers any functional, material or manufacturing defect on any product you buy from us for private use.

### **Spare parts – Keep it going forever**

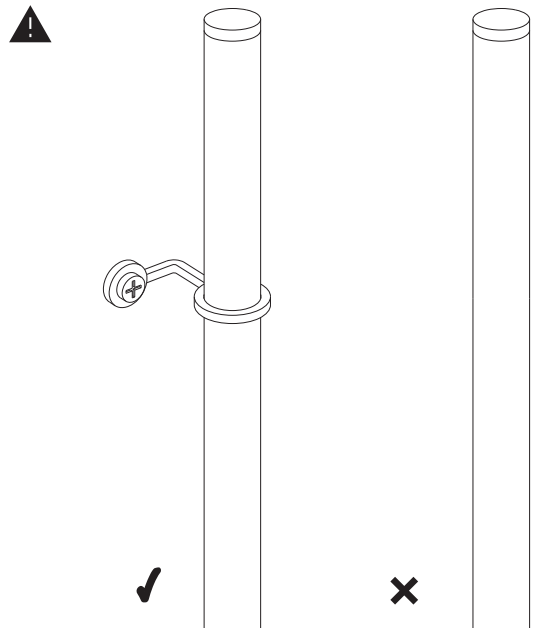
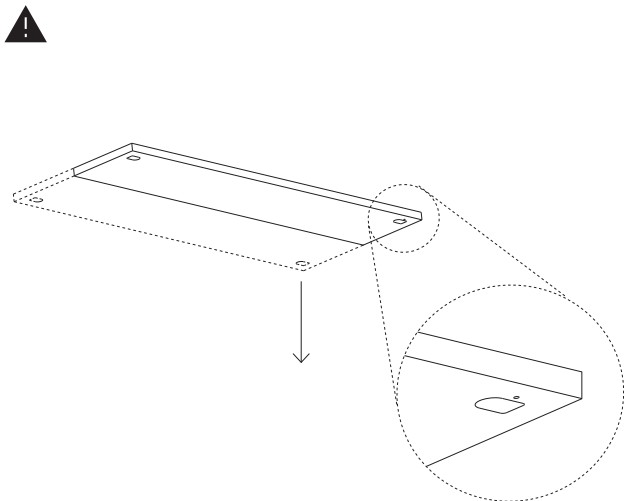
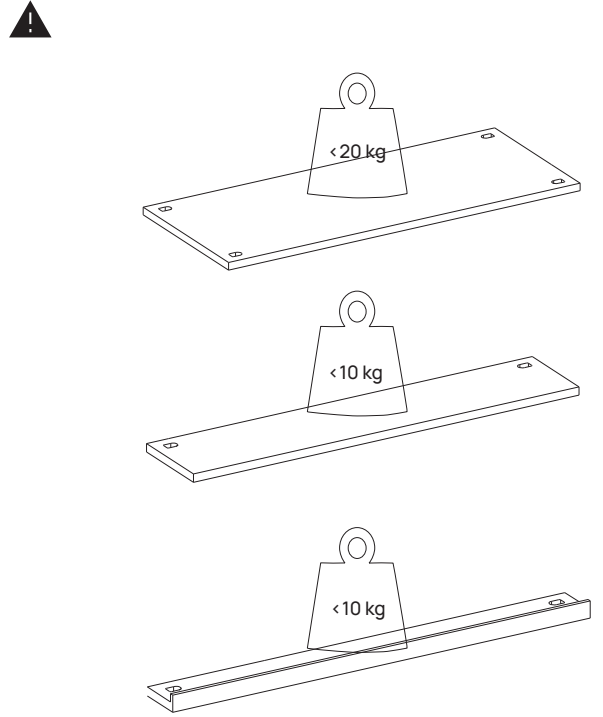
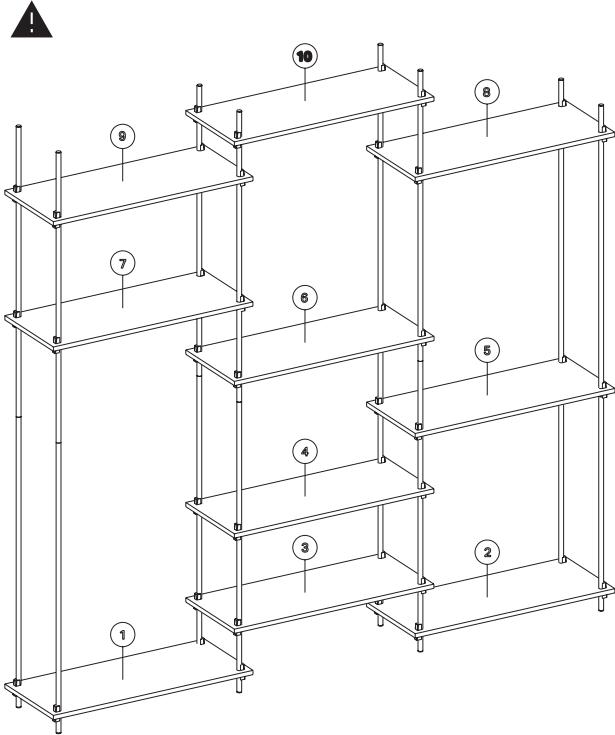
All our products are component based and have been designed this way to make repairs simple. You can find and purchase all spare parts for your product on [www.moebe.dk](http://www.moebe.dk) for a period of at least 5 years after your purchase. It should always be cheaper and easier to repair, than buying new.

### **Recycling**

Whilst we hope that your MOEBE Shelving System will serve you well for many years to come, if you do at some point wish to recycle it then it is easy to do so. Simply split the product down into its separate parts and recycle them by material.

All parts can be recycled. How this is done depends on local regulations and facilities.

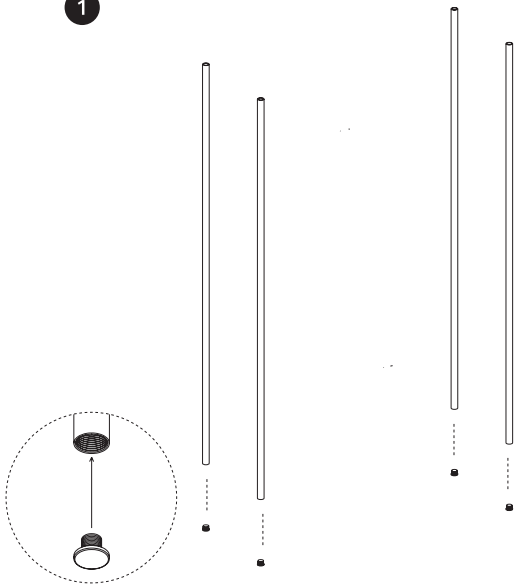
Need To Know / Shelving System



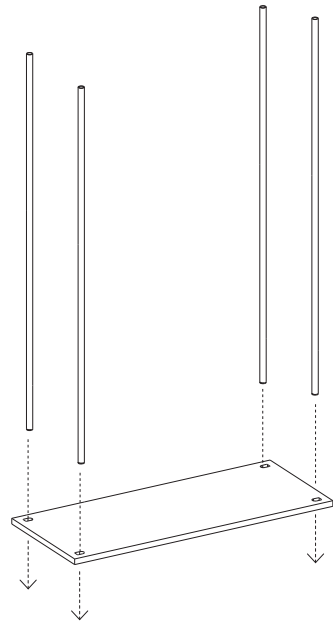


## Floor Standing

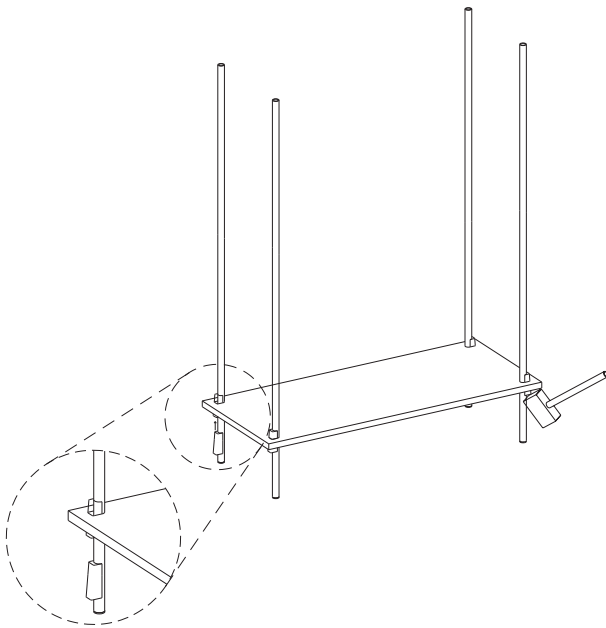
1



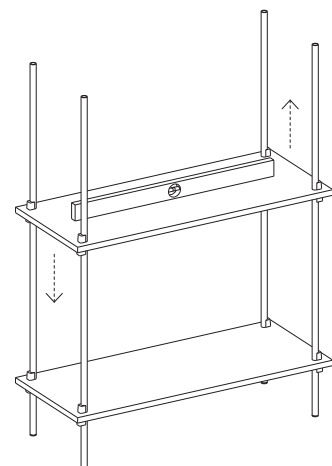
2

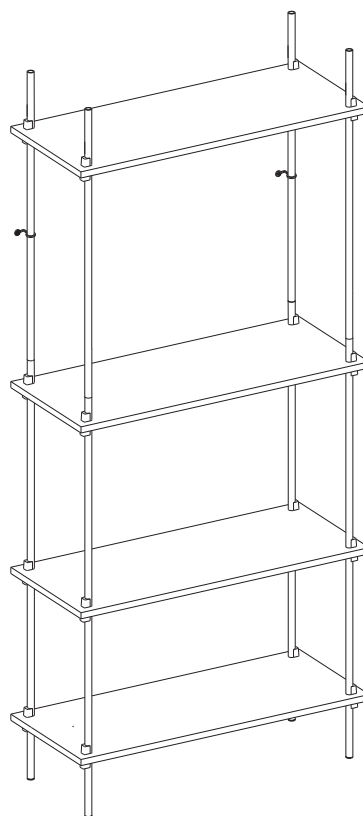
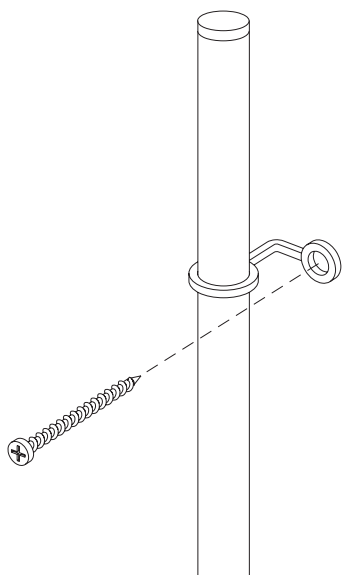
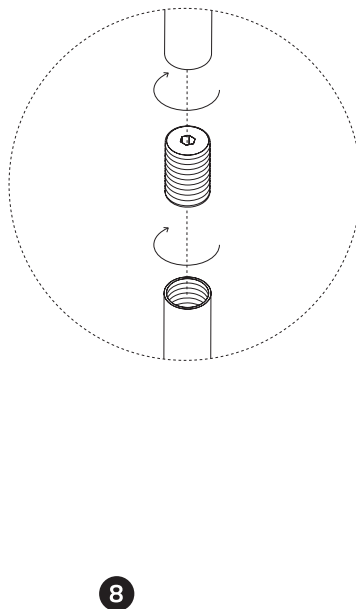
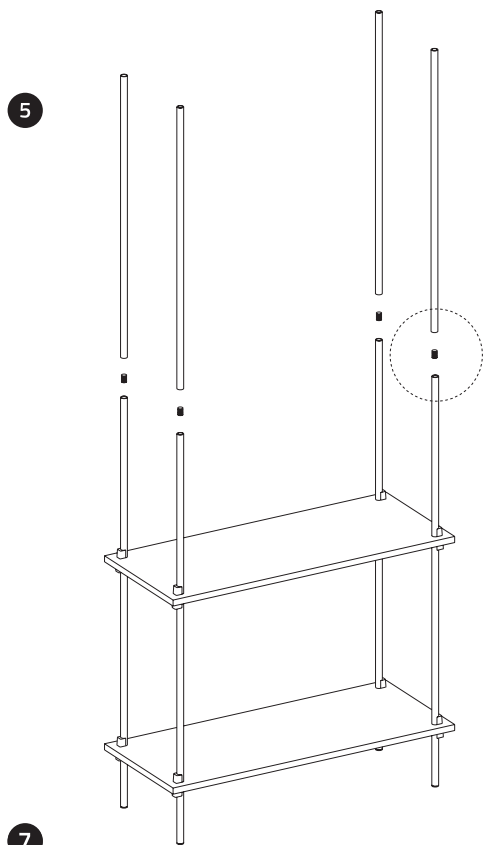


3



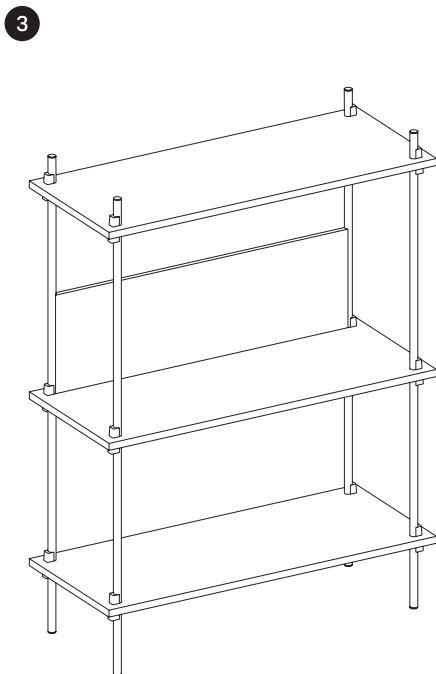
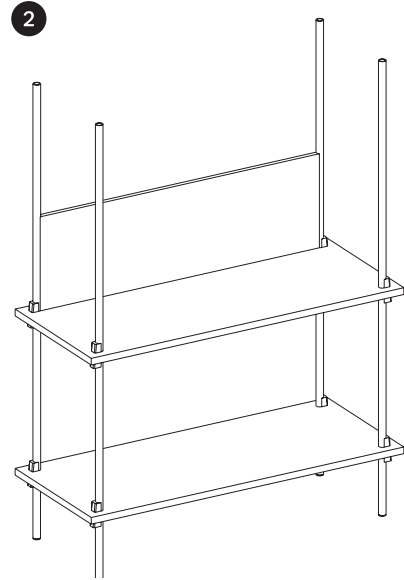
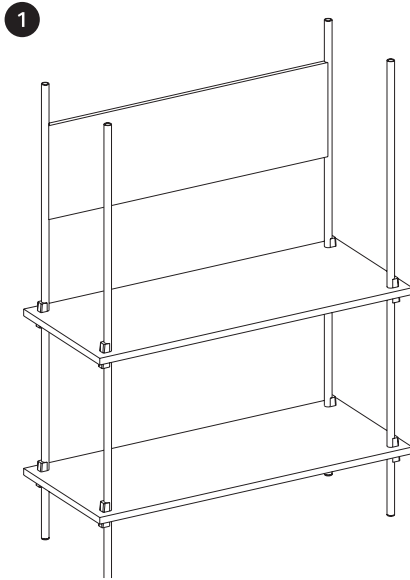
4





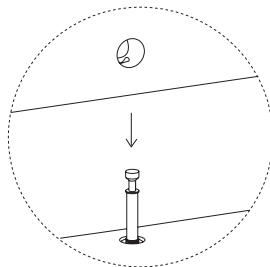
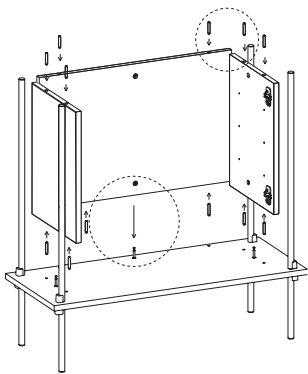
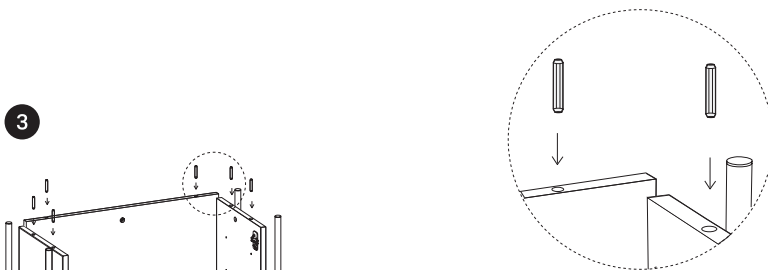
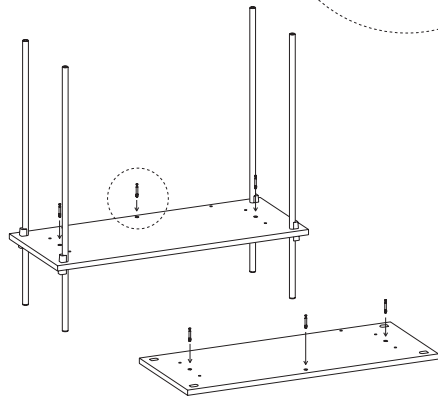
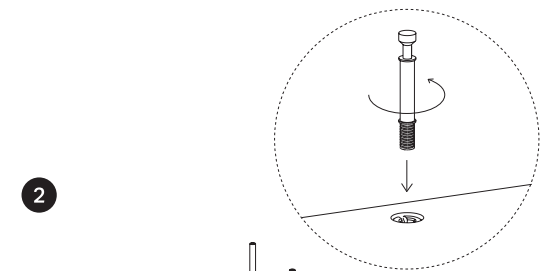
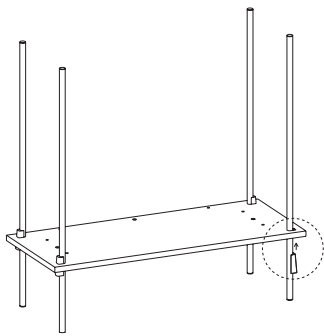
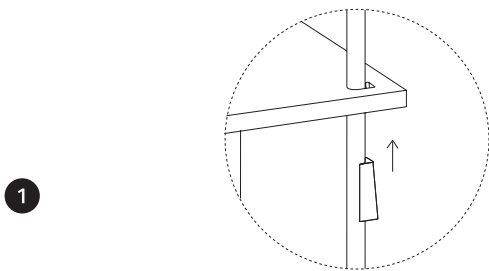
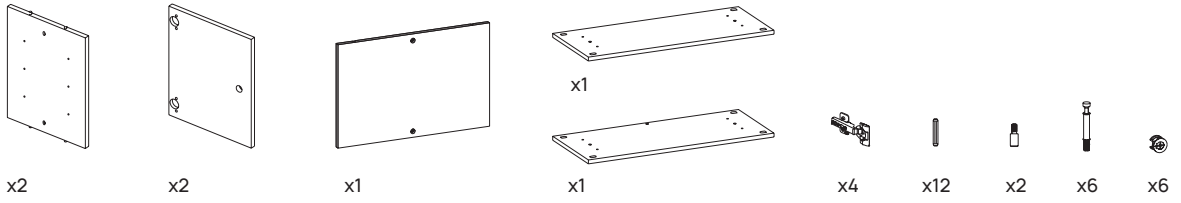


## Back Plate

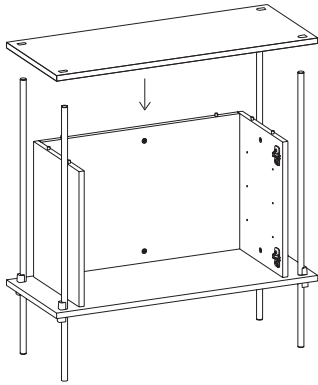




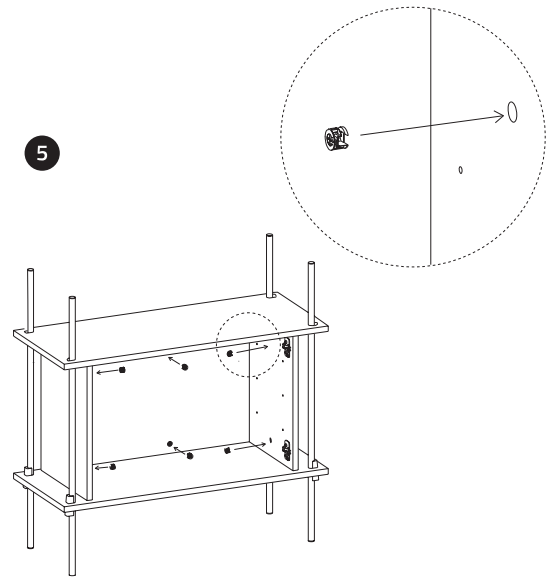
# Cabinet



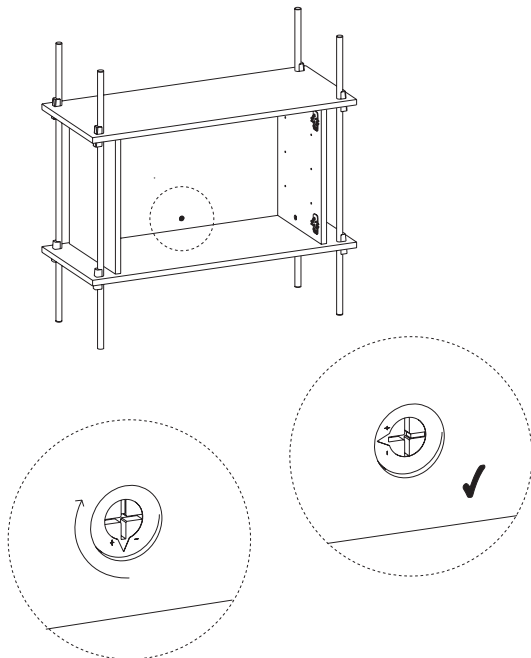
4



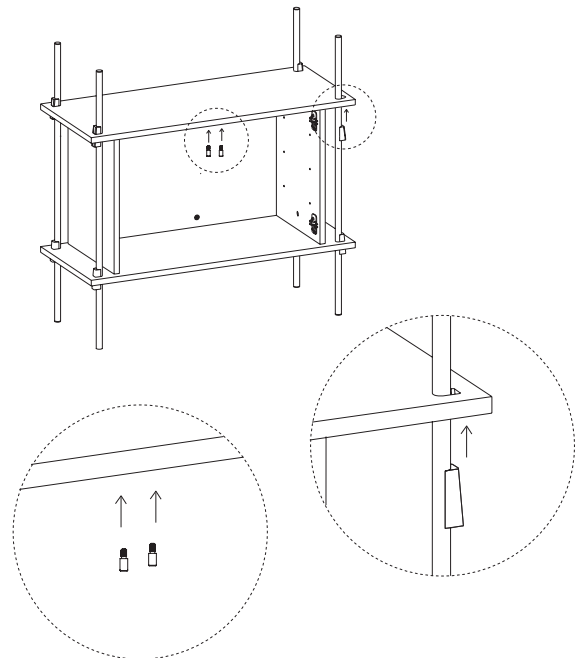
5



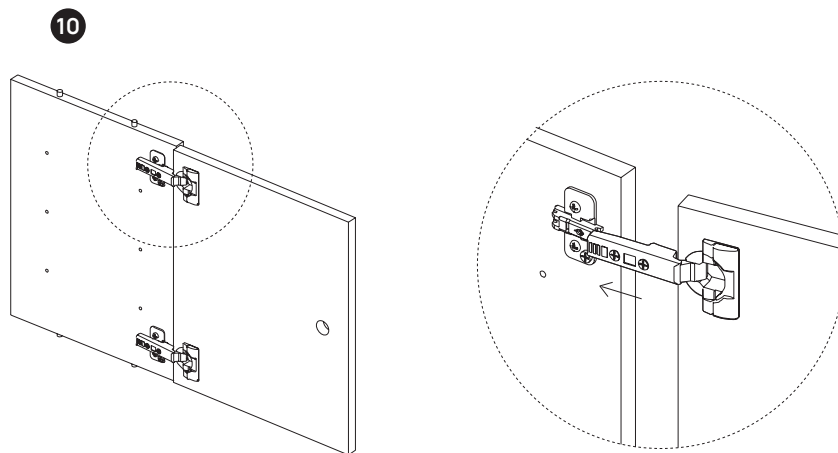
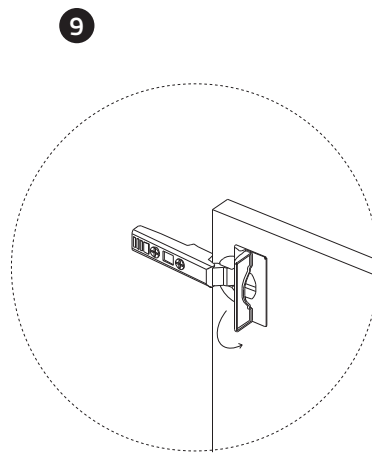
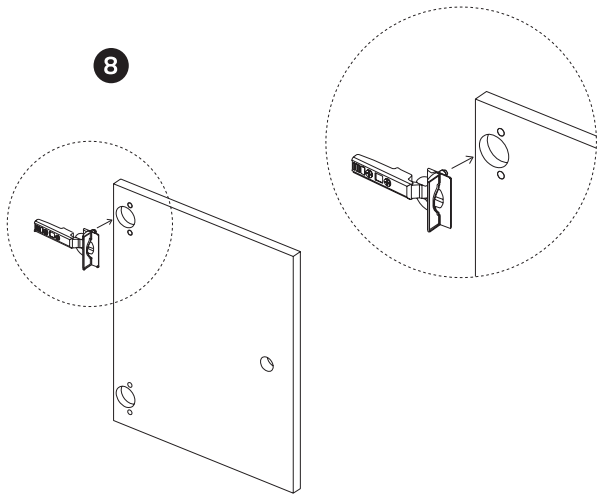
6



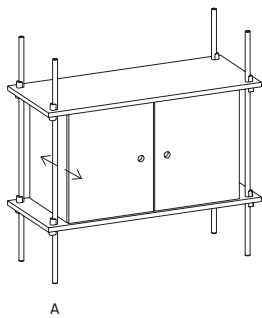
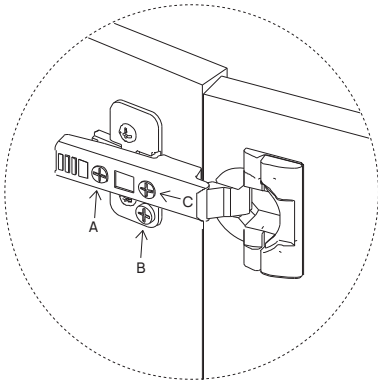
7



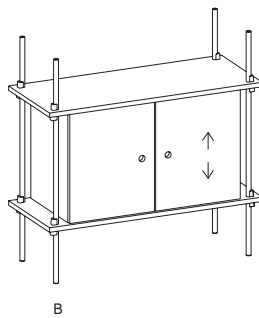




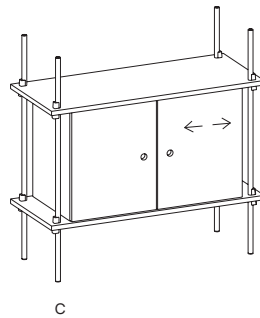
12



A

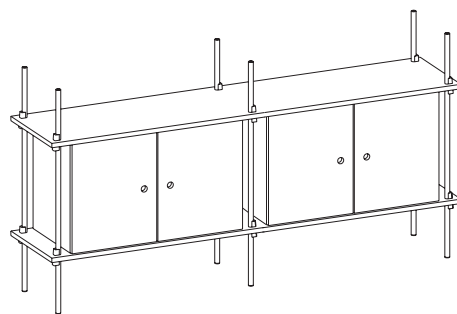
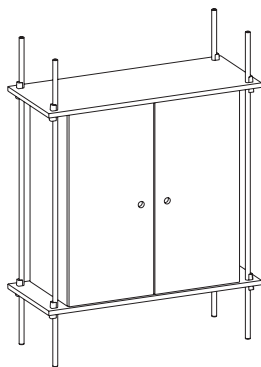
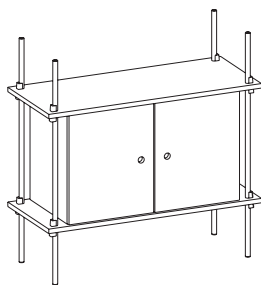


B



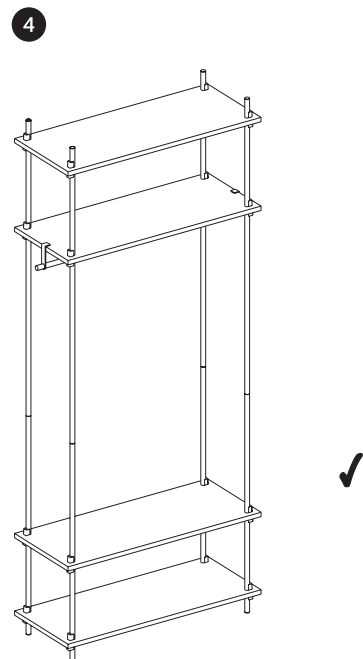
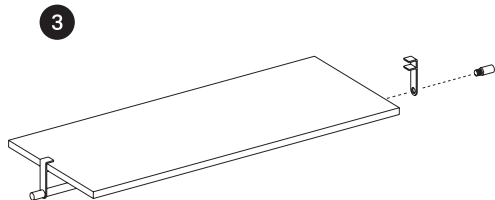
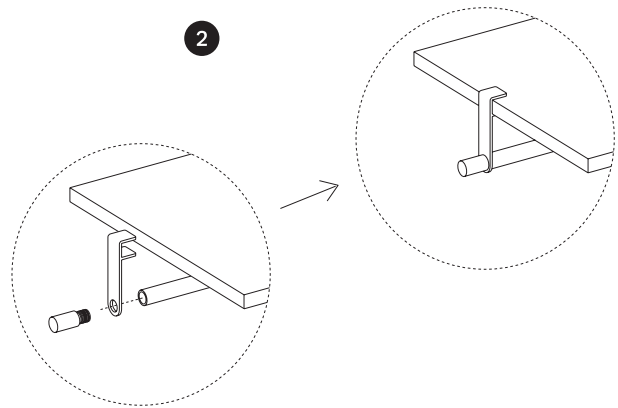
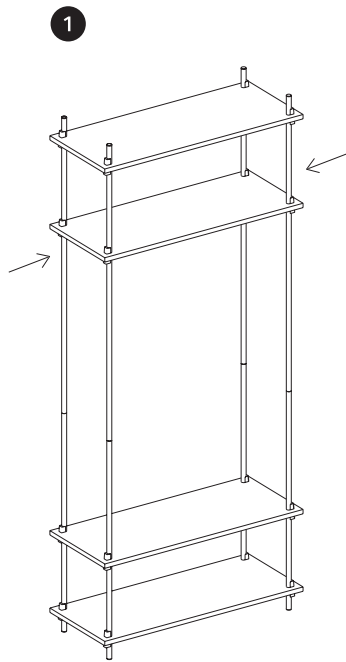
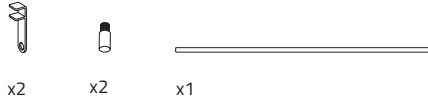
C

13





## Clothes Bar





## Floor Fixing



x1

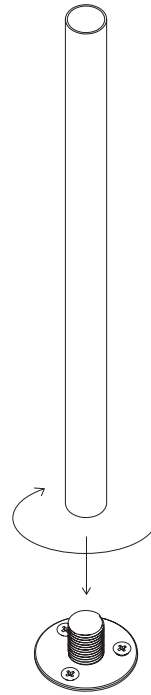


x3

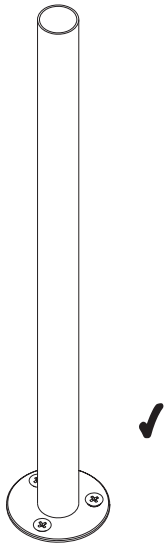
1



2



3





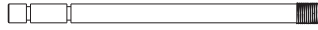
## Ceiling Fixing



x1



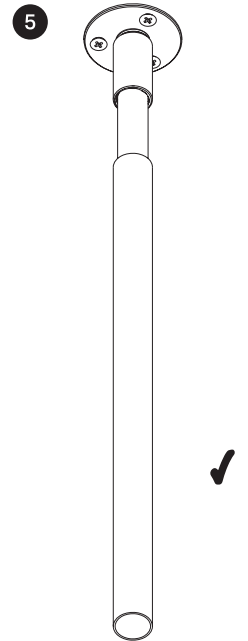
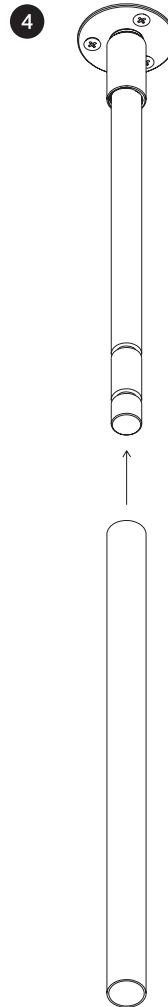
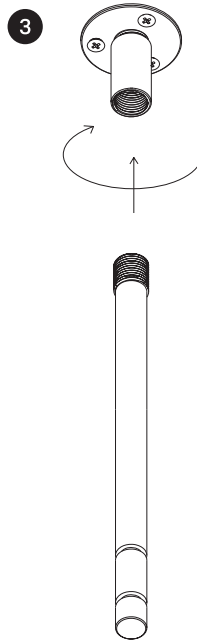
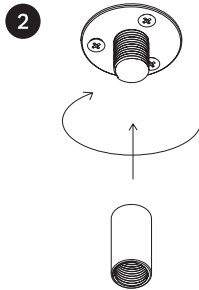
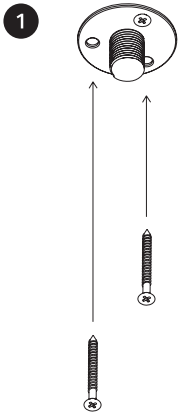
x3



x1

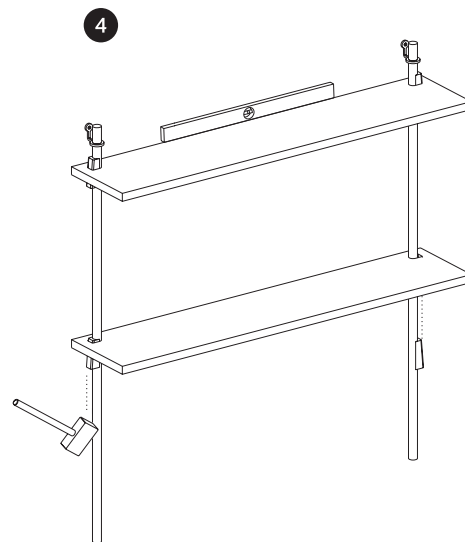
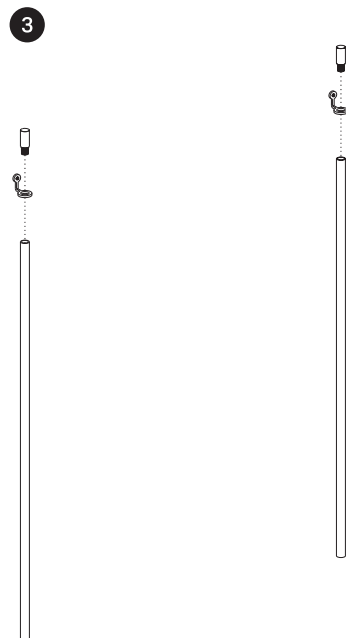
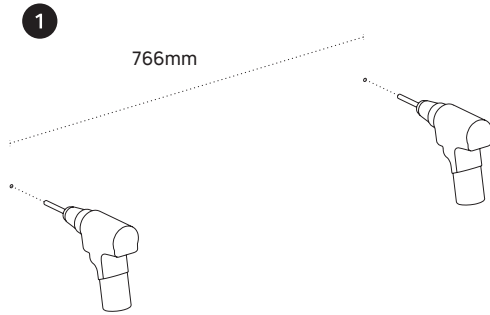


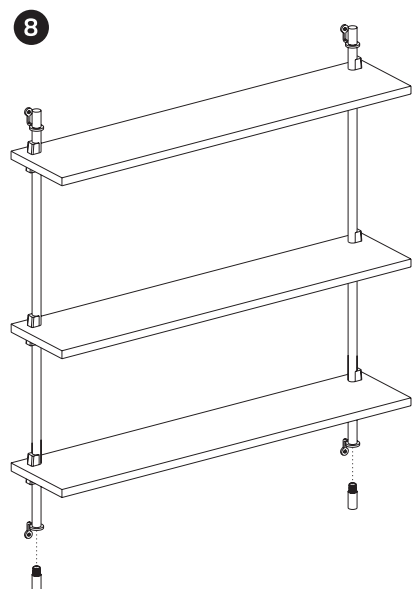
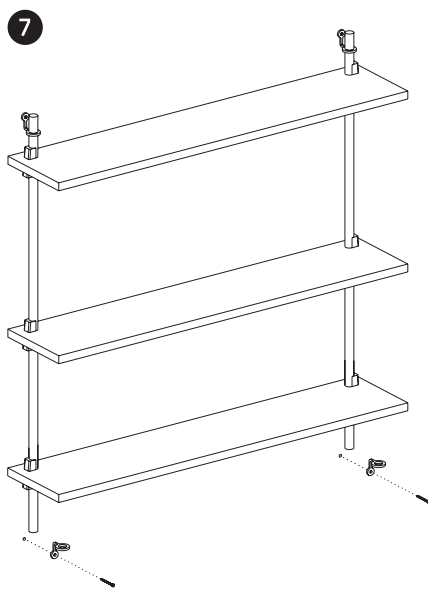
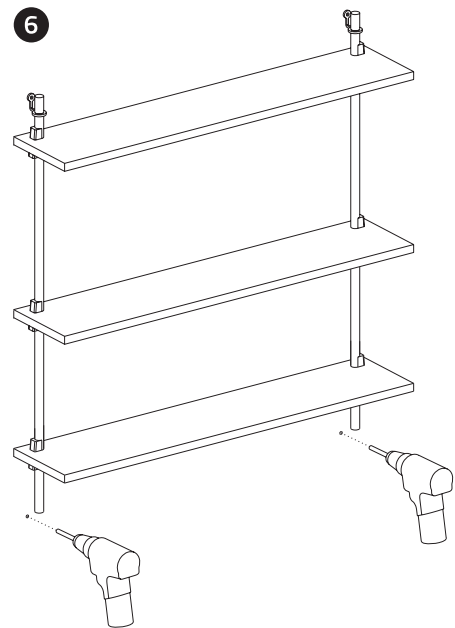
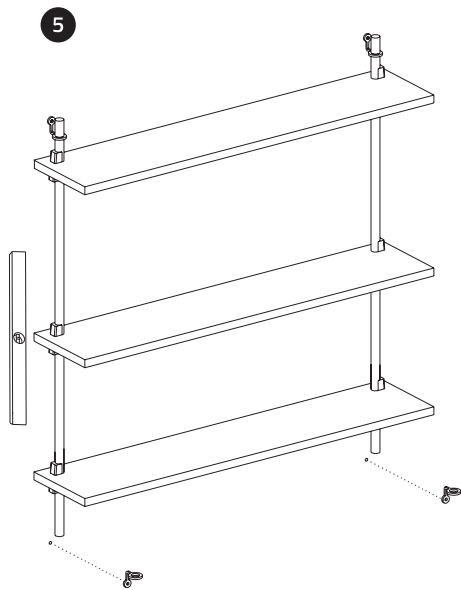
x1

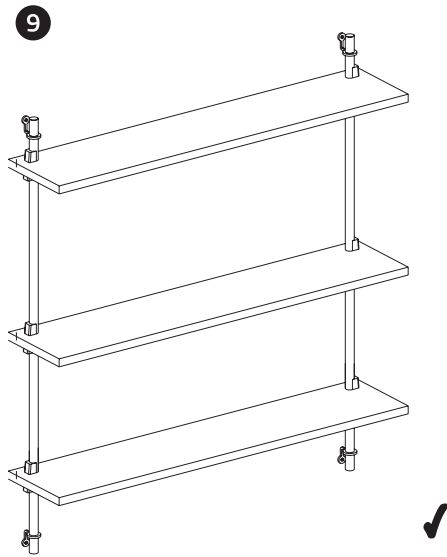




## Wall Mounted





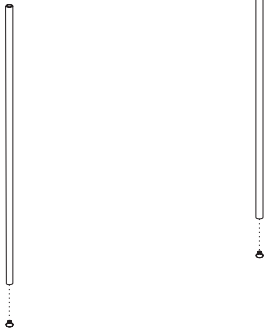




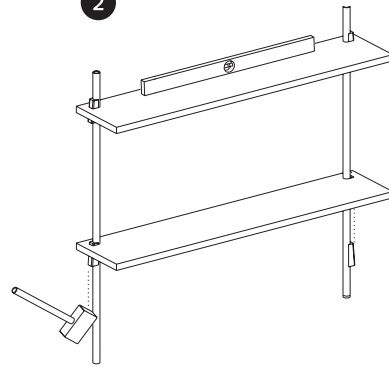


## Wall Mounted Floor Standing

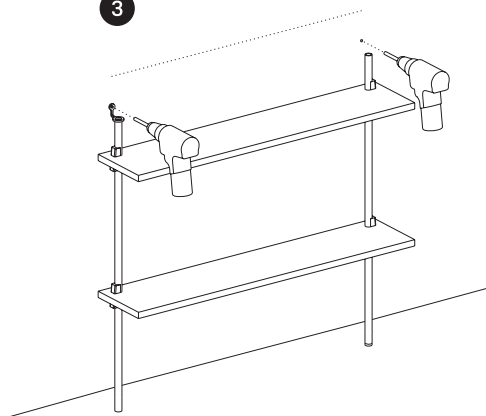
1



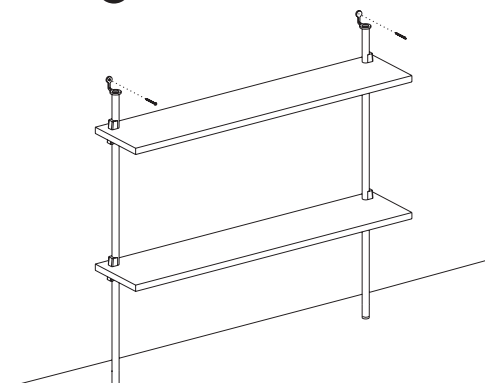
2



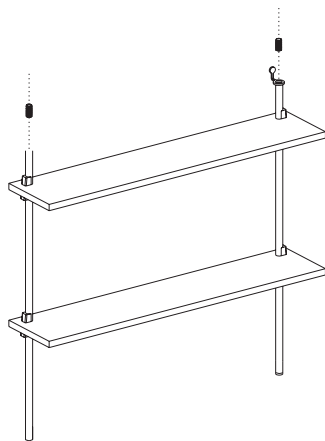
3



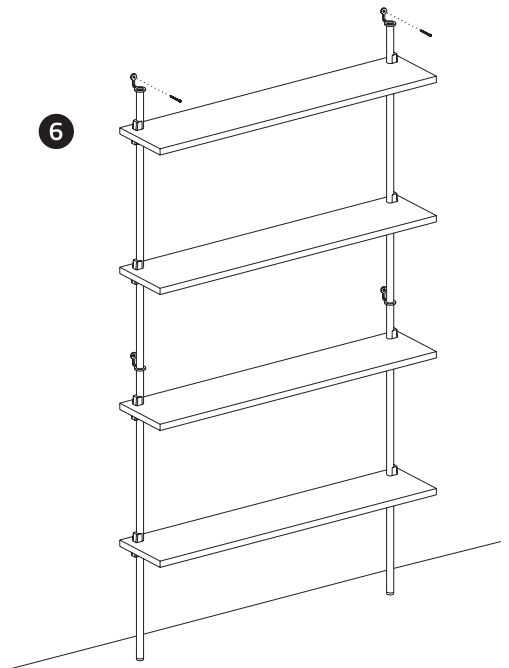
4



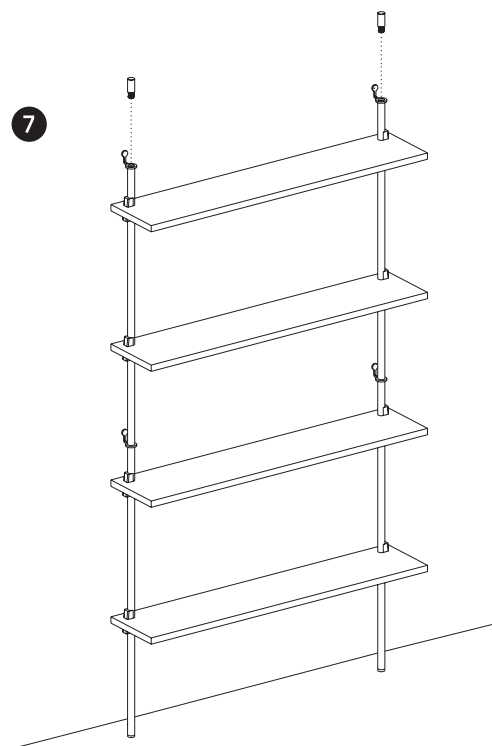
5



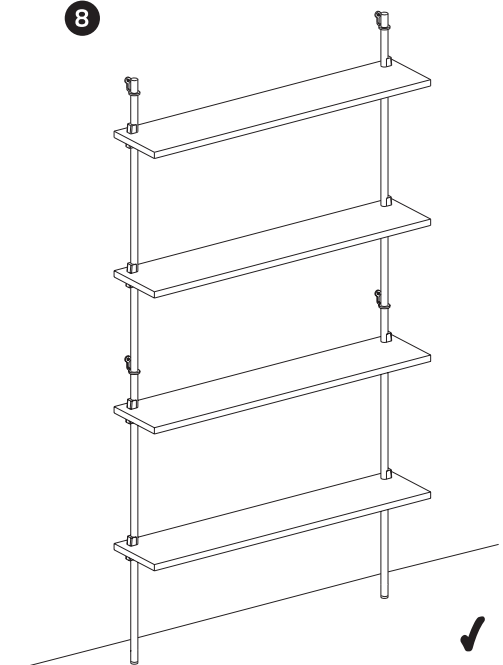
6



7

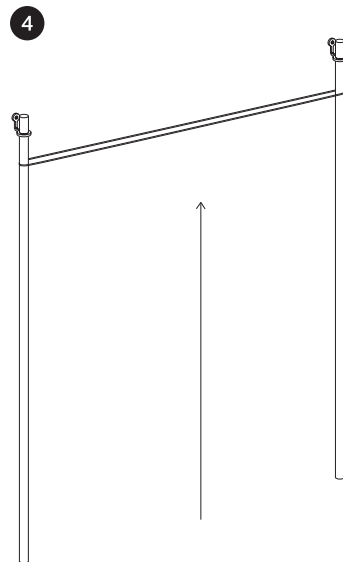
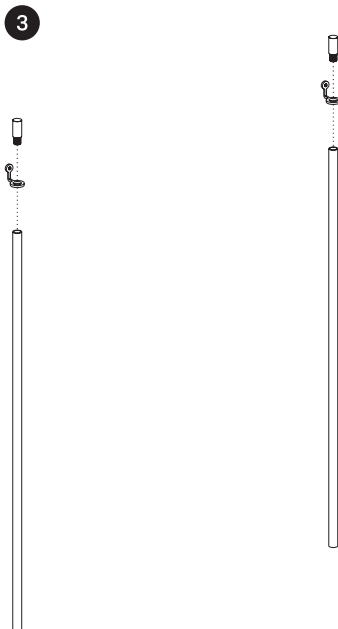
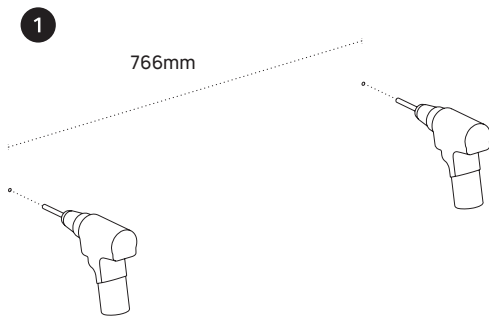


8

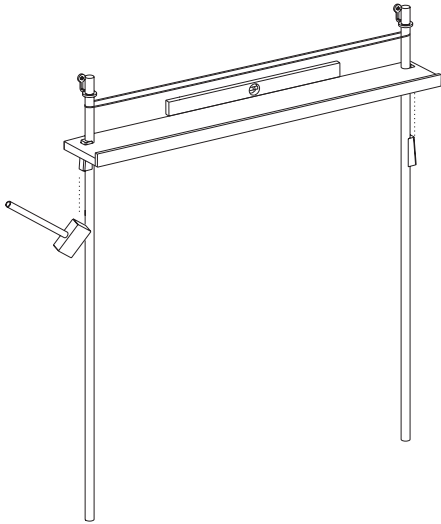




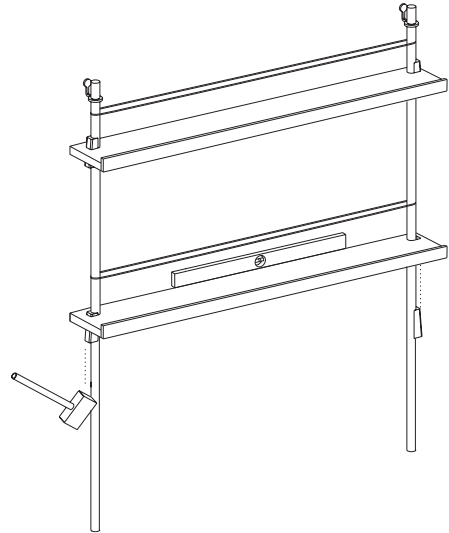
## Magazine Shelving



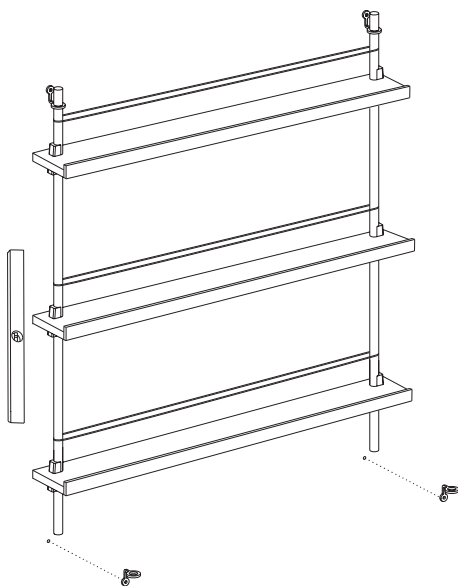
5



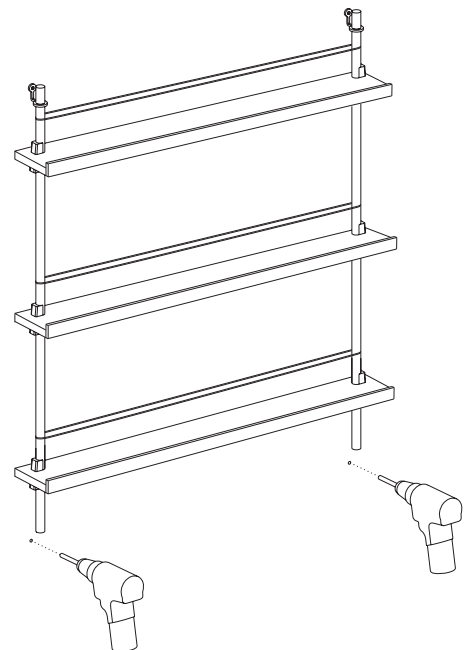
6



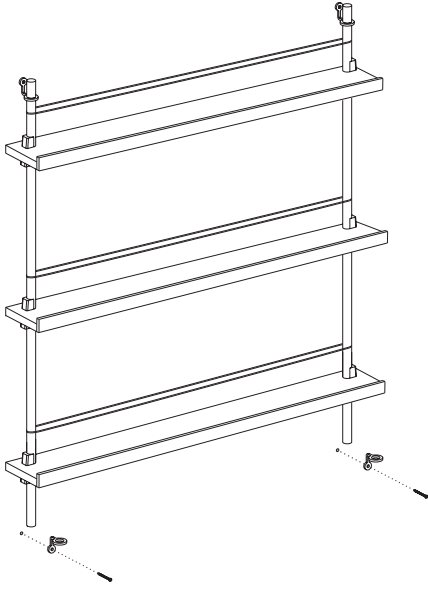
7



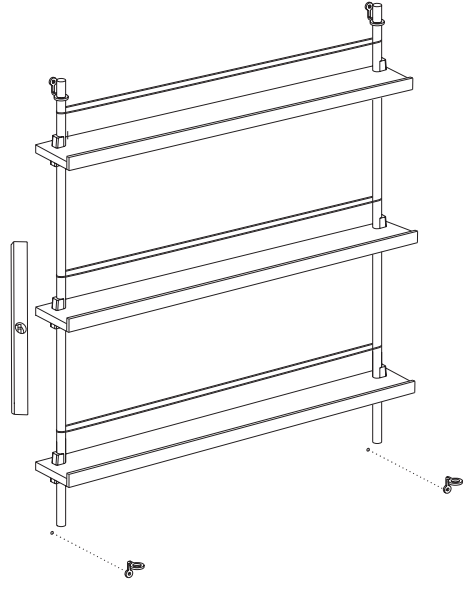
8



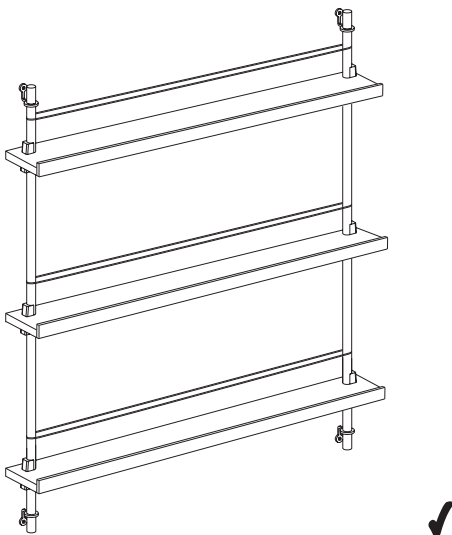
9



10



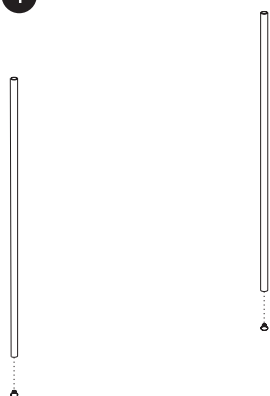
11



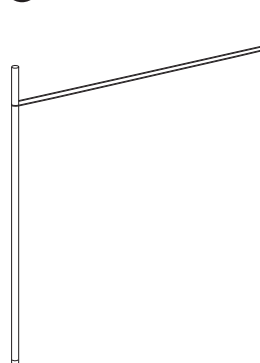


## Magazine Shelving Floor Standing

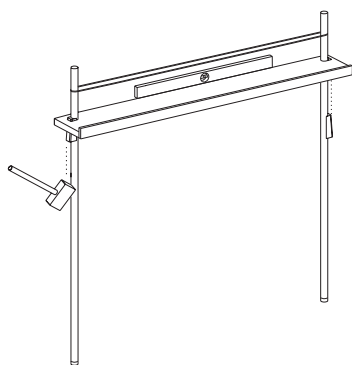
1



2



3



4

